

Physics 214 UCSD/225a UCSB

Lecture 10

- Halzen & Martin Chapter 4
 - Electron-muon scattering
 - Cross section definition
 - Decay rate definition
 - treatment of identical particles => symmetrizing
 - crossing

Electrodynamics of Spinless particles

- We replace p^μ with $p^\mu + eA^\mu$ in classical EM for a particle of charge $-e$ moving in an EM potential A^μ
- In QM, this translates into: $i\partial^\mu \rightarrow i\partial^\mu + eA^\mu$
- And thus to the modified Klein Gordon Equation:

$$(\partial^\mu \partial_\mu + m^2)\phi = -V\phi$$

$$V = -ie(\partial^\mu A_\mu + A^\mu \partial_\mu) - e^2 A^2$$

V here is the potential energy of the perturbation.

Two-by-two process Overview

- Start with general discussion of how to relate number of scatters in $AB \rightarrow CD$ scattering to “beam & target independent” cross section in terms of W_{fi} .
- Calculate W_{fi} for electron-muon scattering.
- Calculate cross section from that
- Show relationship between cross section and “invariant amplitude” (or “Matrix Element”).

$j^\mu = (\rho, \vec{j})$ Reminder from last lecture

$$\partial^\mu j_\mu = 0$$

$$\rho = i \left(\phi^* \frac{\partial \phi}{\partial t} - \phi \frac{\partial \phi^*}{\partial t} \right)$$

$$\vec{J} = -i (\phi^* \nabla \phi - \phi \nabla \phi^*)$$

Plane wave solutions are:

$$\phi(t, \vec{x}) = N e^{-ip_\mu x^\mu}$$

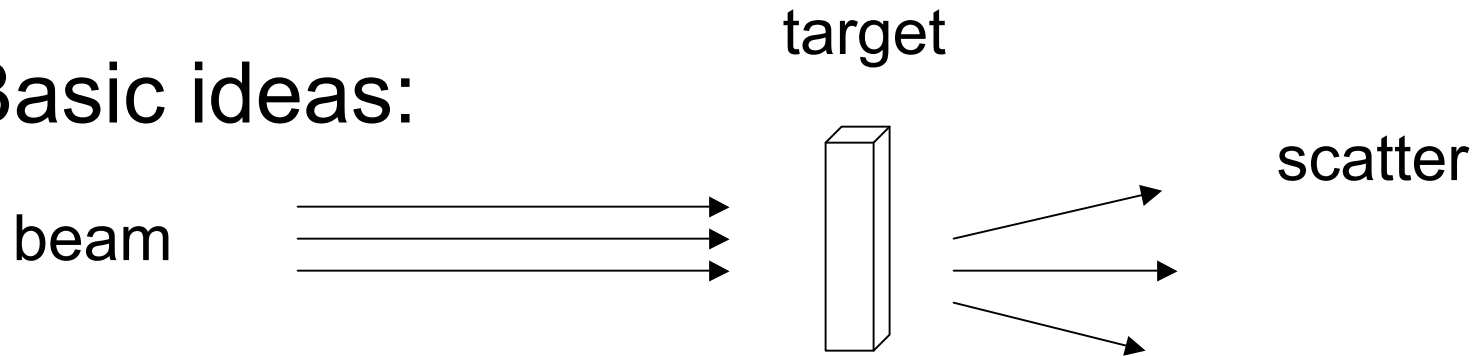
4-vector current for the plane wave solutions we find:

$$\left. \begin{aligned} \rho &= 2E |N|^2 \\ \vec{j} &= 2\vec{p} |N|^2 \end{aligned} \right\} J^\mu = 2p^\mu |N|^2$$

The $2|N|^2$ is an arbitrary normalization

Cross Section for AB \rightarrow CD

- Basic ideas:



of scatters = (flux of beam) \times (# of particles in target) \times σ

$$\text{Cross section} = \sigma = \frac{W_{fi}}{\text{(initial flux)}} \quad (\text{number of final states})$$

W_{fi} = rate per unit time and volume

“Cross section” is independent of characteristics of beam and target !!!

Aside on wave function Normalization

$$\text{Cross section} = \sigma = \frac{W_{fi}}{\text{(initial flux)}} \quad (\text{number of final states})$$

$$W_{fi} \propto N^4$$

Number of final states/initial flux $\propto N^{-4}$

**Cross section is thus independent of
choice of wave function normalization**

(as it should, of course!)

We will see this explicitly as we walk through this now.

Two-Two process AB \rightarrow CD

- Normalize plane wave in constant volume
 - This is obviously not covariant, so the volume normalization better cancel out before we're done!

$$\int_v \rho dV = 2E \Rightarrow N = \frac{1}{\sqrt{V}}$$

- # of particles per volume = $2E/V = n$
- # of particles A crossing area per time = $v_A n_A$
- Flux(AB) = $v_A n_A (2E_B/V) = v_A (2E_A/V) (2E_B/V)$

Aside on covariant flux

- Flux = $v_A (2E_A/V) (2E_B/V)$
- Now let target (i.e. B) move collinear with beam (i.e. A): Flux = $(\mathbf{v}_A - \mathbf{v}_B) (2E_A/V) (2E_B/V)$
- Now take $v=p/E$: Flux = $(E_B p_A + E_A p_B) 4/V^2$
- Now a little relativistic algebra:

$$(p_A^\mu p_\mu^B)^2 - m_A^2 m_B^2 = (E_A E_B - \vec{p}_A \vec{p}_B)^2 - m_A^2 m_B^2$$

$$(E_A E_B)^2 = (p^2 + m^2)_A (p^2 + m^2)_B$$

$$\vec{p}_A = -\vec{p}_B$$

Putting the pieces together and adding some algebra:

$$(p_A^\mu p_\mu^B)^2 - m_A^2 m_B^2 = (p_A E_B + p_B E_A)^2$$

$$\text{Flux} = \frac{4}{V^2} \sqrt{(p_A^\mu p_\mu^B)^2 - m_A^2 m_B^2}$$

Obviously covariant!

(up to $1/V^2$ normalization factor that is arbitrary, and will cancel)

Number of final states/particle

- QM restricts the number of final states that a single particle in a box of volume V can have:

$$\frac{\text{Number of final states}}{2E \text{ particles}} = \frac{V dp^3}{(2\pi)^3 2E}$$

This follows from Exercise 4.1 in H&M that you will do as homework exercise.

Putting the pieces together

$$\text{Cross section} = \sigma = \frac{W_{fi}}{\text{(initial flux)}} \quad (\text{number of final states})$$

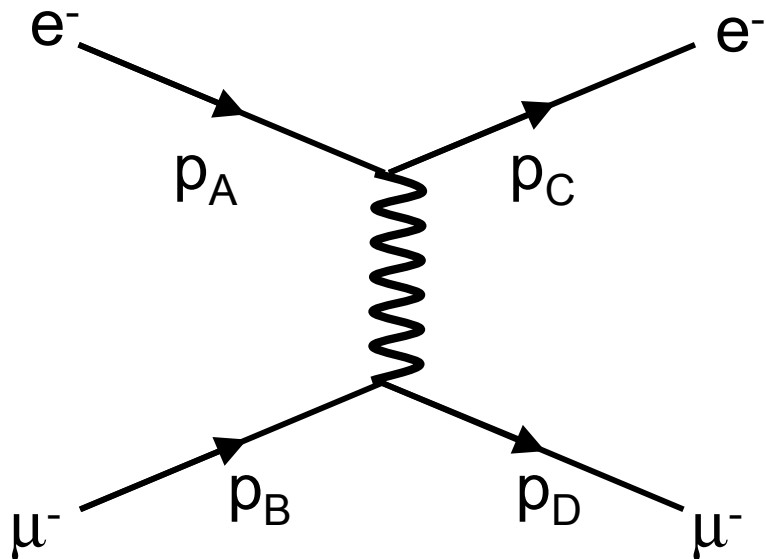
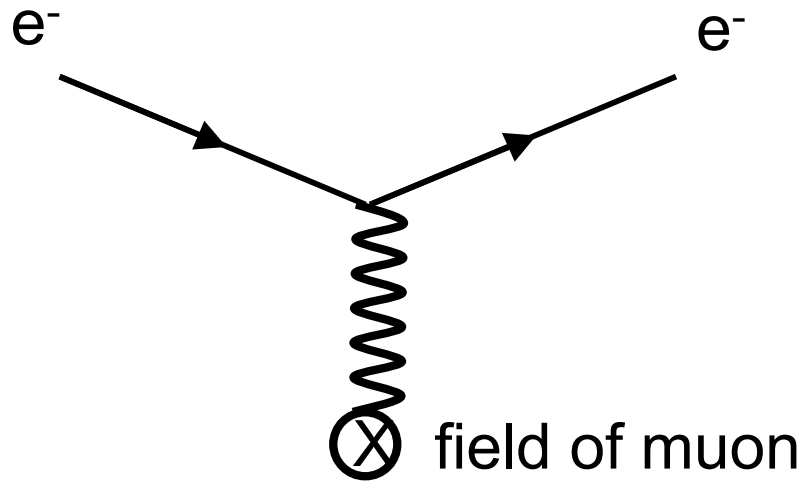
$$\sigma = \frac{W_{fi}}{v_A (2E_A/V) (2E_B/V)} \frac{V dp_C^3}{(2\pi)^3 2E_C} \frac{V dp_D^3}{(2\pi)^3 2E_D}$$

Next we calculate W_{fi}

Electron Muon Scattering

- Use what we did last lecture
 - Electron scattering in EM field
- With the field being the one generated by the muon as source.
 - Use covariant form of maxwell's equation in Lorentz Gauge to get V , the perturbation potential.
- Plug it into T_{fi}

In form of diagrams



Electron-muon scattering

Electron Muon scattering

$$\square^2 A^\mu = J_{(2)}^\mu \quad \text{Maxwell Equation}$$

Note: $\square^2 e^{iqx} = -q^2 e^{iqx}$

$$J_{(2)}^\mu = -eN_B N_D (p_D + p_B)^\mu e^{i(p_D - p_B)x}$$

$$A^\mu = -\frac{1}{q^2} J_{(2)}^\mu \quad \leftarrow = q$$

$$T_{fi} = -i \int J_\mu^{(1)} \frac{-1}{q^2} J_{(2)}^\mu d^4 x \quad \leftarrow \text{Note the symmetry: (1) } \leftrightarrow \text{(2)}$$

$$T_{fi} = -iN_A N_B N_C N_D (2\pi)^4 \delta^{(4)}(p_D + p_C - p_A - p_B) M$$

$$-iM = (ie(p_A + p_C)^\mu) \frac{-ig_{\mu\nu}}{q^2} (ie(p_D + p_B)^\nu)$$

Note the structure: Vertex x propagator x Vertex

Reminder

$$\begin{pmatrix} 1 & 0 & 0 & 0 \\ 0 & -1 & 0 & 0 \\ 0 & 0 & -1 & 0 \\ 0 & 0 & 0 & -1 \end{pmatrix} = g_{\mu\nu}$$

$$A^\mu B_\mu = g_{\mu\nu} A^\mu B^\nu$$

Reminder: $T_{fi} \rightarrow W_{fi}$

$$W_{fi} = \lim_{t \rightarrow \infty} \frac{|T_{fi}|^2}{t} \Rightarrow \frac{|T_{fi}|^2}{tV}$$

Last time we didn't work in a covariant fashion. This time around, we want to do our integrations across both time and space, i.e. W is a rate per unit time and volume.

$$T_{fi} = -iN_A N_B N_C N_D (2\pi)^4 \delta^{(4)}(p_D + p_C - p_A - p_B) M$$

As last time, we argue that one δ -function remains after $||^2$ while the other gives us a tV to cancel the tV in the denominator.

Putting it all together for W_{fi}

$$N = \frac{1}{\sqrt{V}} \qquad W_{fi} = \frac{|T_{fi}|^2}{tV}$$

$$T_{fi} = \frac{-i(2\pi)^4}{V^2} \delta^{(4)}(p_D + p_C - p_A - p_B) M$$

$$W_{fi} = (2\pi)^4 \frac{\delta^{(4)}(p_D + p_C - p_A - p_B)}{V^4} |M|^2$$

Putting it all together for σ

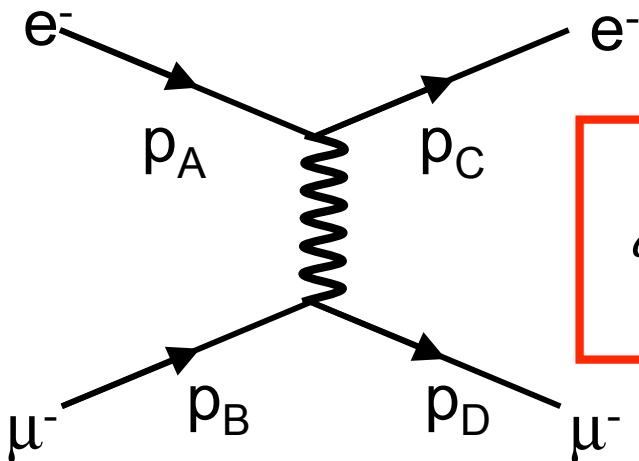
$$\sigma = \frac{W_{fi}}{v_A (2E_A/V) (2E_B/V)} \frac{V dp_C^3}{(2\pi)^3 2E_C} \frac{V dp_D^3}{(2\pi)^3 2E_D}$$

$$d\sigma = \frac{V^2}{4v_A E_A E_B} (2\pi)^4 \frac{\delta^{(4)}(p_D + p_C - p_A - p_B)}{V^4} |M|^2 \frac{V^2 dp_C^3 dp_D^3}{(2\pi)^6 4E_C E_D}$$

$$d\sigma = \frac{1}{64\pi^2} \frac{\delta^{(4)}(p_D + p_C - p_A - p_B)}{v_A E_A E_B} |M|^2 \frac{dp_C^3 dp_D^3}{E_C E_D}$$

Aside on outgoing states

- While the incoming states have definite momentum, the outgoing states can have many momenta.
- The cross section is thus a differential cross section in the outgoing momenta.



$$d\sigma = \frac{|M|^2}{4v_A E_A E_B} \frac{1}{16\pi^2} \delta^{(4)}(p_D + p_C - p_A - p_B) \frac{dp_C^3 dp_D^3}{E_C E_D}$$

(incoming flux is still not covariant)

It is customary to re-express

$$d\sigma = \frac{|M|^2}{4v_A E_A E_B} \frac{1}{16\pi^2} \delta^{(4)}(p_D + p_C - p_A - p_B) \frac{dp_c^3 dp_D^3}{E_c E_D}$$

$$\text{As: } d\sigma = \frac{|M|^2}{F} dQ$$

$$F = \text{flux factor: } F = 4\sqrt{\left(p_A^\mu p_\mu^B\right)^2 - m_A^2 m_B^2} = 4v_A E_A E_B$$

dQ = Lorentz invariant phase space:

$$dQ = \frac{1}{16\pi^2} \delta^{(4)}(p_D + p_C - p_A - p_B) \frac{dp_c^3 dp_D^3}{E_c E_D}$$

In the center-of-mass frame:

$$F = 4 p_i \sqrt{(E_A + E_B)^2} = 4 p_i \sqrt{s}$$

$$dQ = \frac{1}{4\pi^2} \frac{p_f}{4\sqrt{s}} d\Omega$$

$$\left. \frac{d\sigma}{d\Omega} \right|_{cm} = \frac{|M|^2}{64\pi^2 s} \frac{p_f}{p_i}$$

You get to show this as homework !

Electron-electron scattering

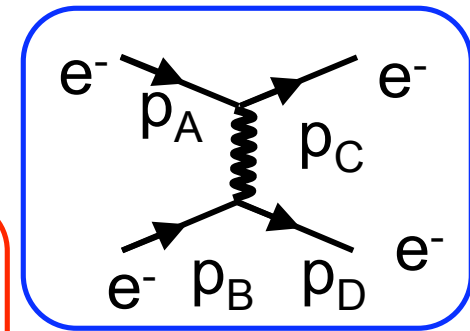
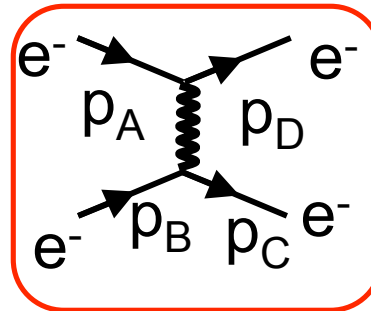
- With identical particles in the final state, we obviously need to allow for two contributions to M .

- Option 1:

- C attaches at vertex with A
- D attaches at vertex with B

- Option 2:

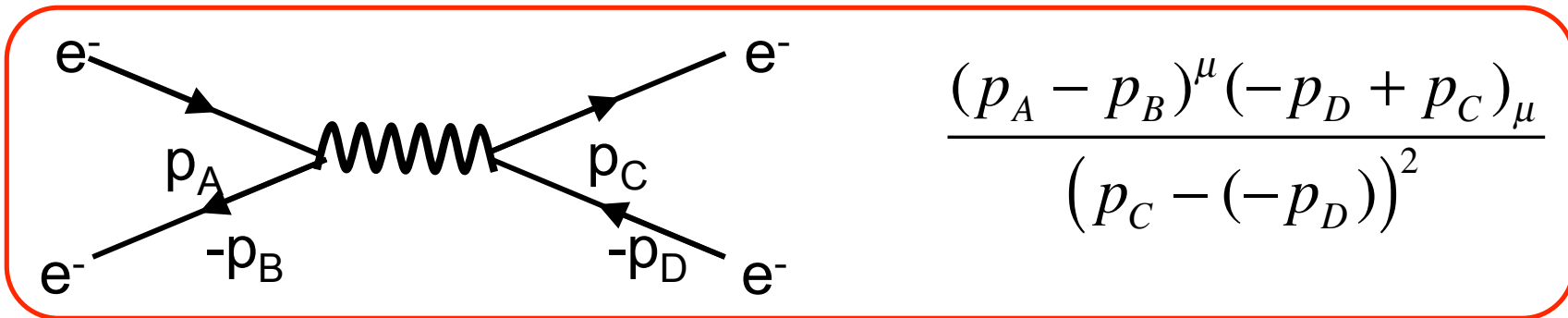
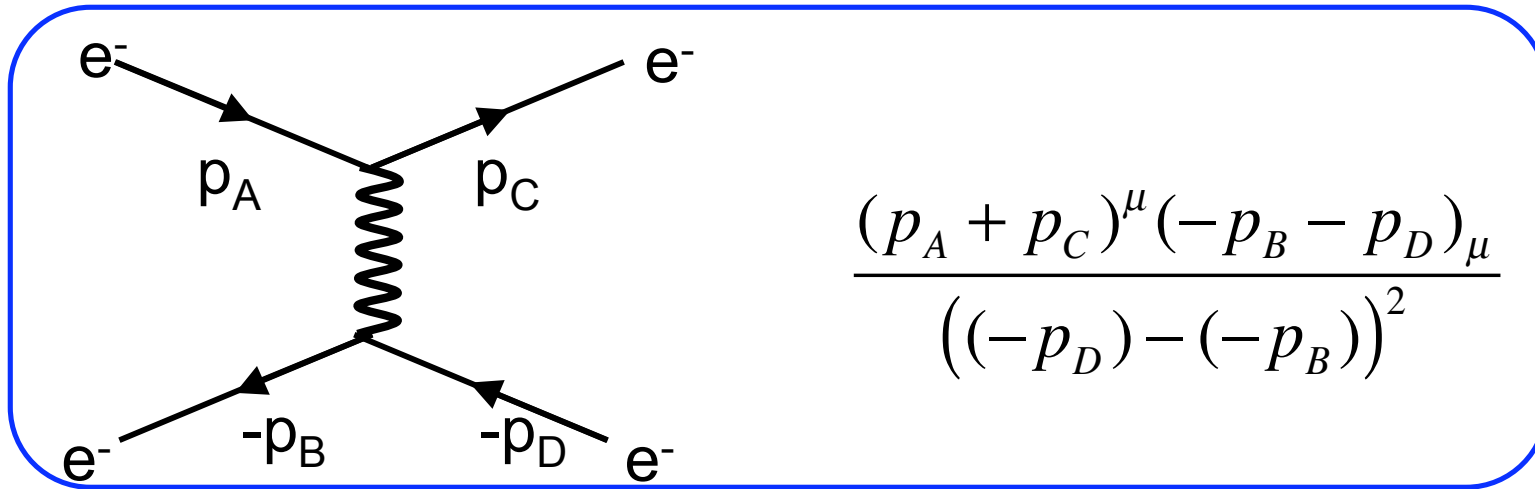
- C attaches at vertex with B
- D attaches at vertex with A



- As we can't distinguish C and D, the amplitudes add before M is squared.

$$M = -e^2 \left(\frac{(p_A + p_C)^\mu (p_B + p_D)_\mu}{(p_D - p_B)^2} + \frac{(p_A + p_D)^\mu (p_B + p_C)_\mu}{(p_C - p_B)^2} \right)$$

Electron-positron and crossing



$$M = -e^2 \left(\frac{(p_A + p_C)^\mu (-p_B - p_D)_\mu}{((-p_D) - (-p_B))^2} + \frac{(p_A - p_B)^\mu (-p_D + p_C)_\mu}{(p_C - (-p_D))^2} \right)$$

Electron-positron and crossing

Electron - electron

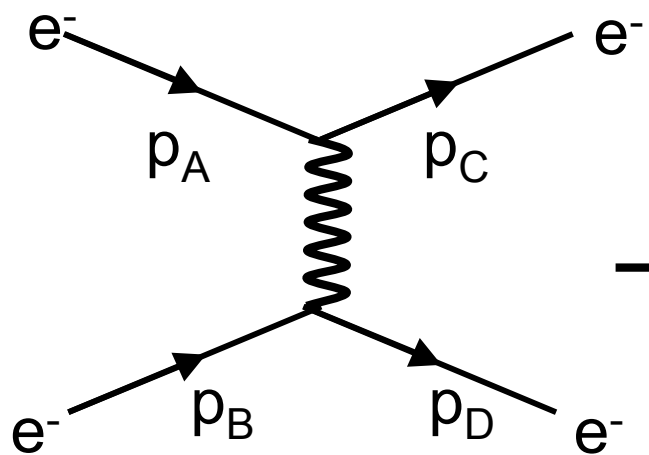
$$M = -e^2 \left(\frac{(p_A + p_C)^\mu (p_B + p_D)_\mu}{(p_D - p_B)^2} + \frac{(p_A + p_D)^\mu (p_B + p_C)_\mu}{(p_C - p_B)^2} \right)$$

Electron - positron

$$M = -e^2 \left(\frac{(p_A + p_C)^\mu (-p_B - p_D)_\mu}{((-p_D) - (-p_B))^2} + \frac{(p_A - p_B)^\mu (-p_D + p_C)_\mu}{(p_C - (-p_D))^2} \right)$$

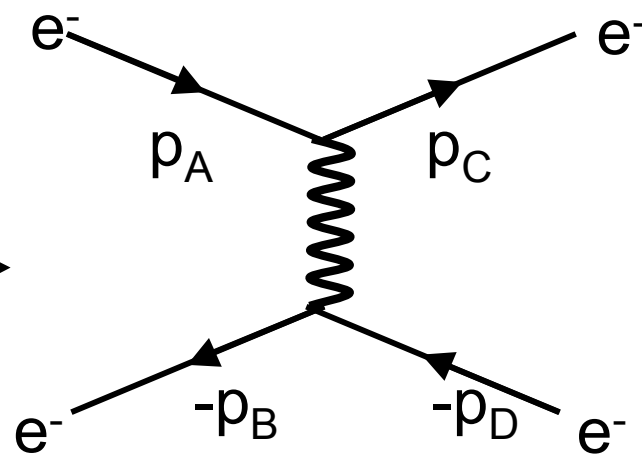
Only difference is:
 $p_D \rightarrow -p_B$
 $p_B \rightarrow -p_D$

Electron-Electron scattering

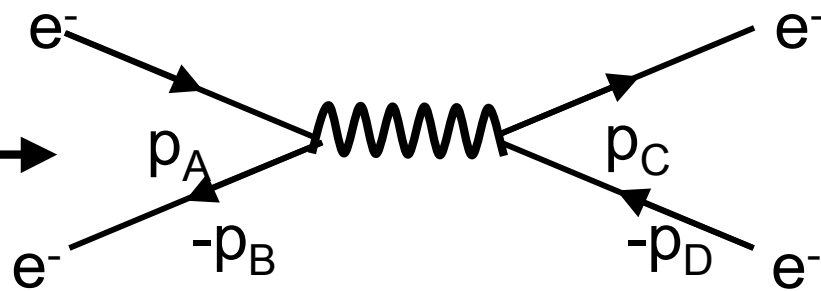
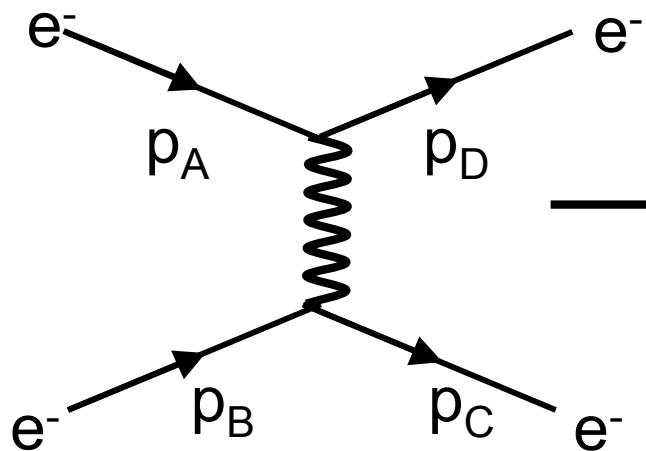


crossing

Electron-Positron scattering



crossing



E-mu vs e-e vs e-ebar scattering

Electron - muon

$$M = -e^2 \left(\frac{(p_A + p_C)^\mu (p_B + p_D)_\mu}{(p_D - p_B)^2} \right)$$

Electron - electron

$$M = -e^2 \left(\frac{(p_A + p_C)^\mu (p_B + p_D)_\mu}{(p_D - p_B)^2} + \frac{(p_A + p_D)^\mu (p_B + p_C)_\mu}{(p_C - p_B)^2} \right)$$

Electron - positron

$$M = -e^2 \left(\frac{(p_A + p_C)^\mu (-p_B - p_D)_\mu}{((-p_D) - (-p_B))^2} + \frac{(p_A - p_B)^\mu (-p_D + p_C)_\mu}{(p_C - (-p_D))^2} \right)$$

